



# JED MICROPROCESSORS PTY LTD

173 Boronia Rd, Boronia, (PO Box 30), Victoria, 3155, Australia.

Phone: +61 3 9762 3588, Fax: +61 3 9762 5499.

Web site: <http://www.jedmicro.com.au> email: [jed@jedmicro.com.au](mailto:jed@jedmicro.com.au)

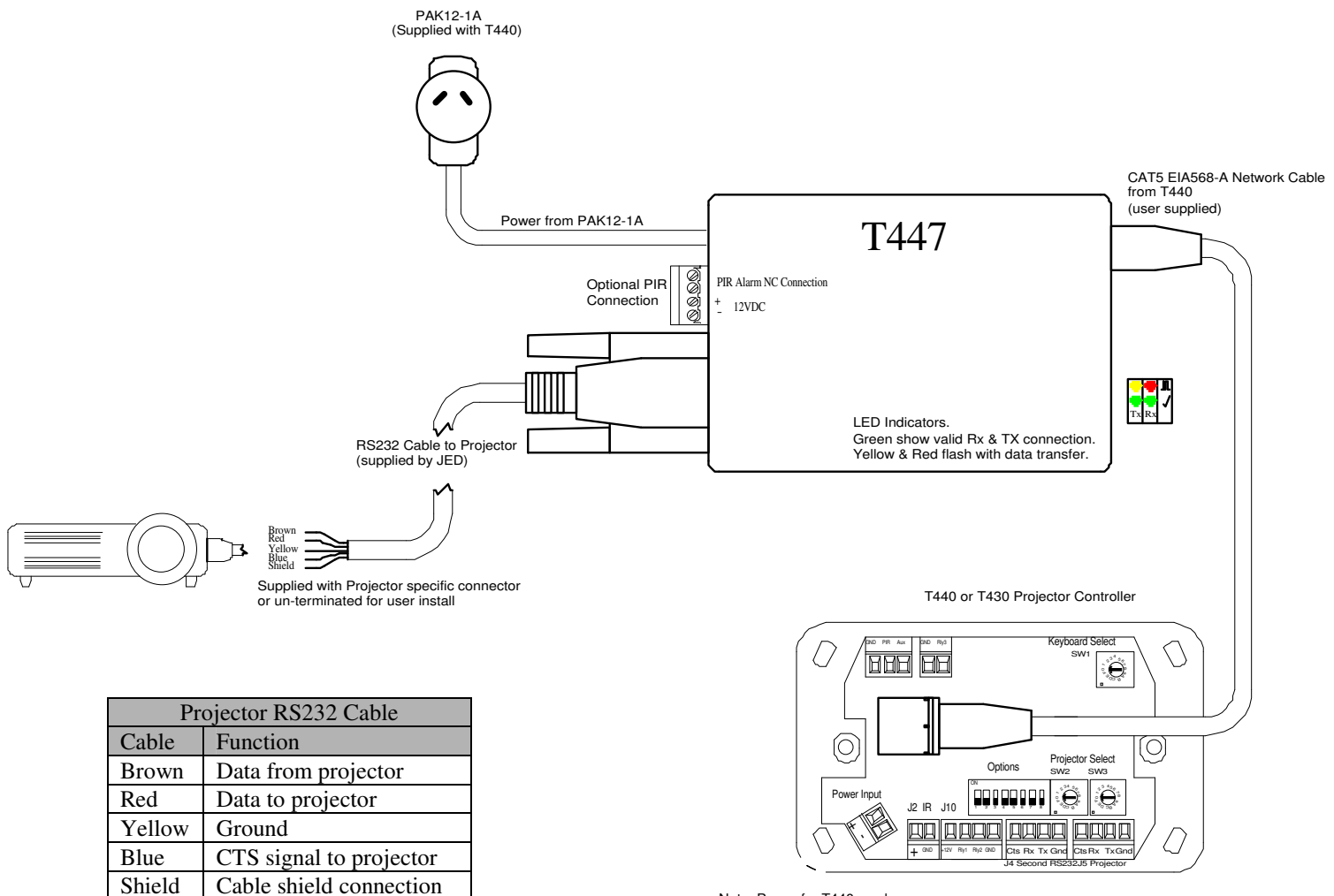
## T447 Projector Interface Users Guide

### Introduction

This guide describes the operation and installation of the T447 Projector Interface for T430, T440 or T460 AV controllers.

It allows easy connection between the controller and projector with generic pre-made CAT5 EIA568-A non-crossover network cables and a projector specific RS232 cable.

### Typical installation with T440



# Typical installation with T460

