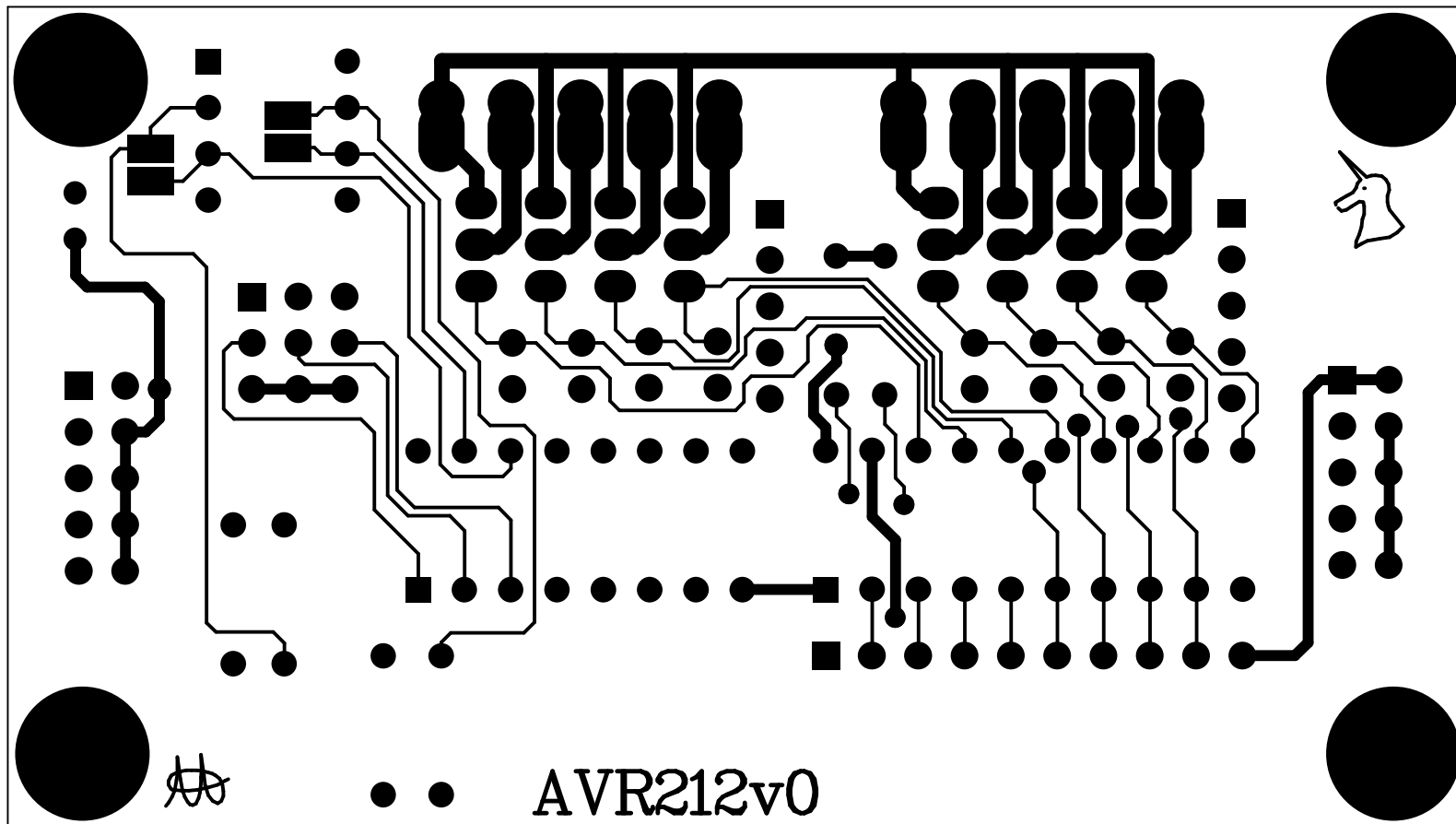


JED MICROPROCESSORS PTY LTD
 BORONIA VICTORIA 3155
 Board title 212v0.PCB

Date
 Scale
 Time

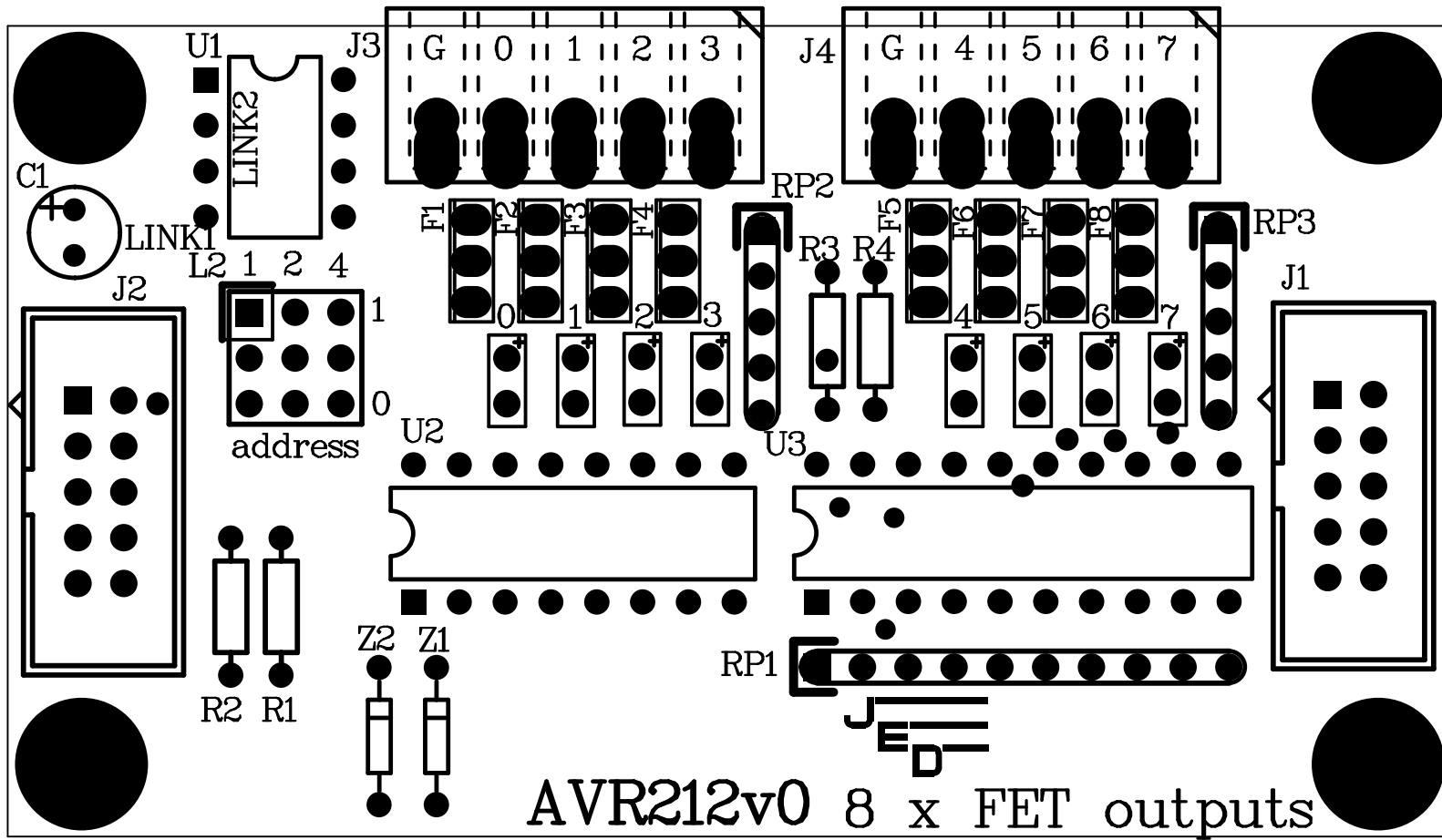
27-Jul-2004
 SCALE: 7.41
 11:36:41



JED MICROPROCESSORS PTY LTD
BORONIA VICTORIA 3155
Board title 212v0.PCB

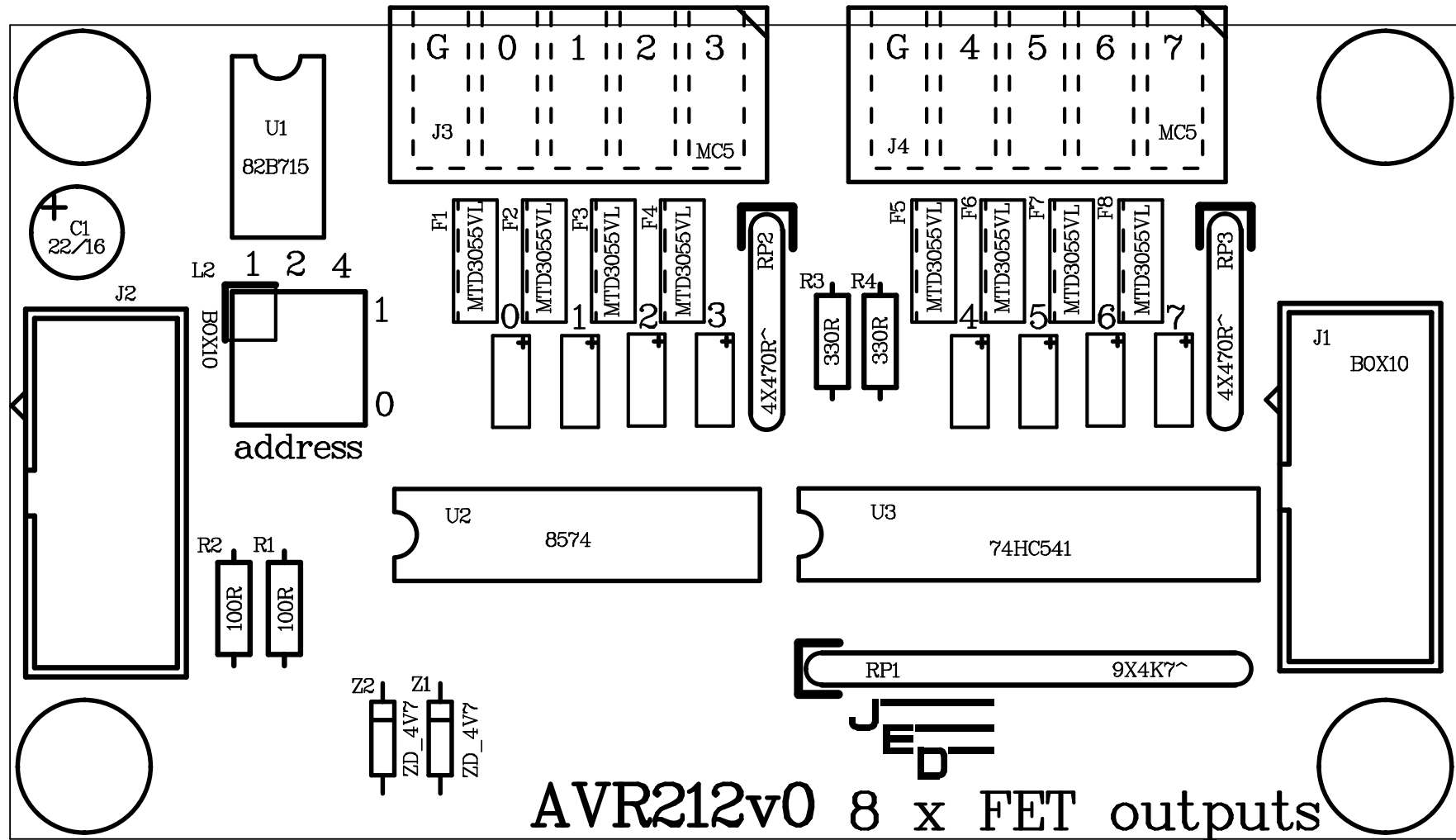
Date
Scale
Time

27-Jul-2004
SCALE: 7.41
11:36:41



JED MICROPROCESSORS PTY LTD
 BORONIA VICTORIA 3155
 Board title 212v0.PCB

Date 27-Jul-2004
 Scale SCALE: 7.41
 Time 11:36:41



JED MICROPROCESSORS PTY LTD
 BORONIA VICTORIA 3155
 Board title bits of 212v0.PCB

Date
 Scale
 Time

27-Jul-2004
 SCALE: 2.13
 11:36:07

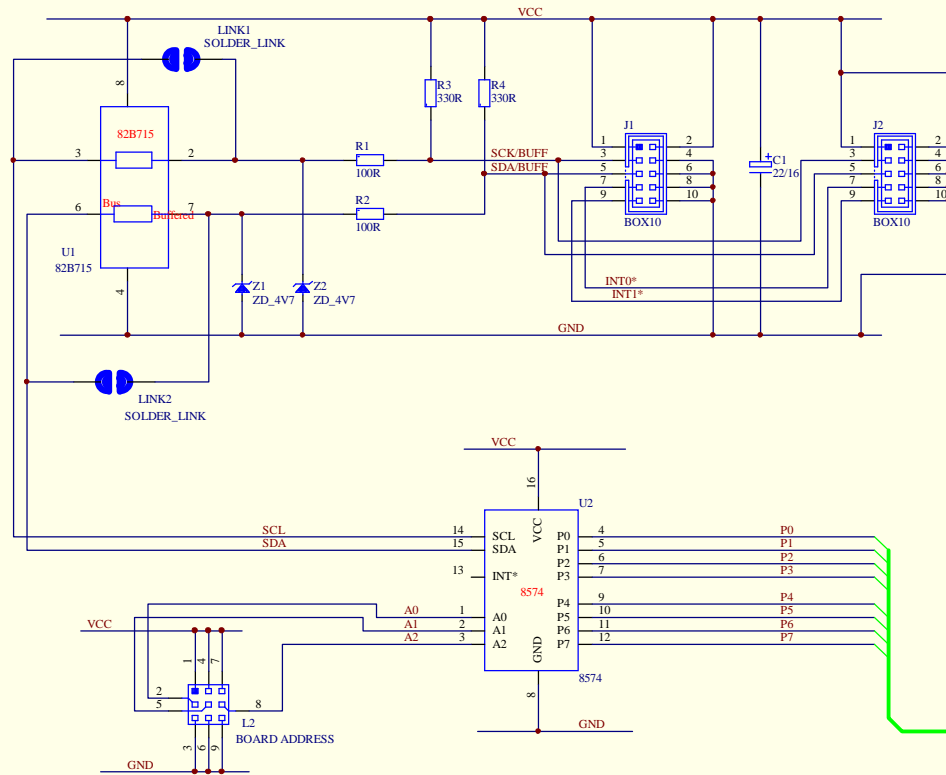
I2C interface
212v0.S01

I2C interface

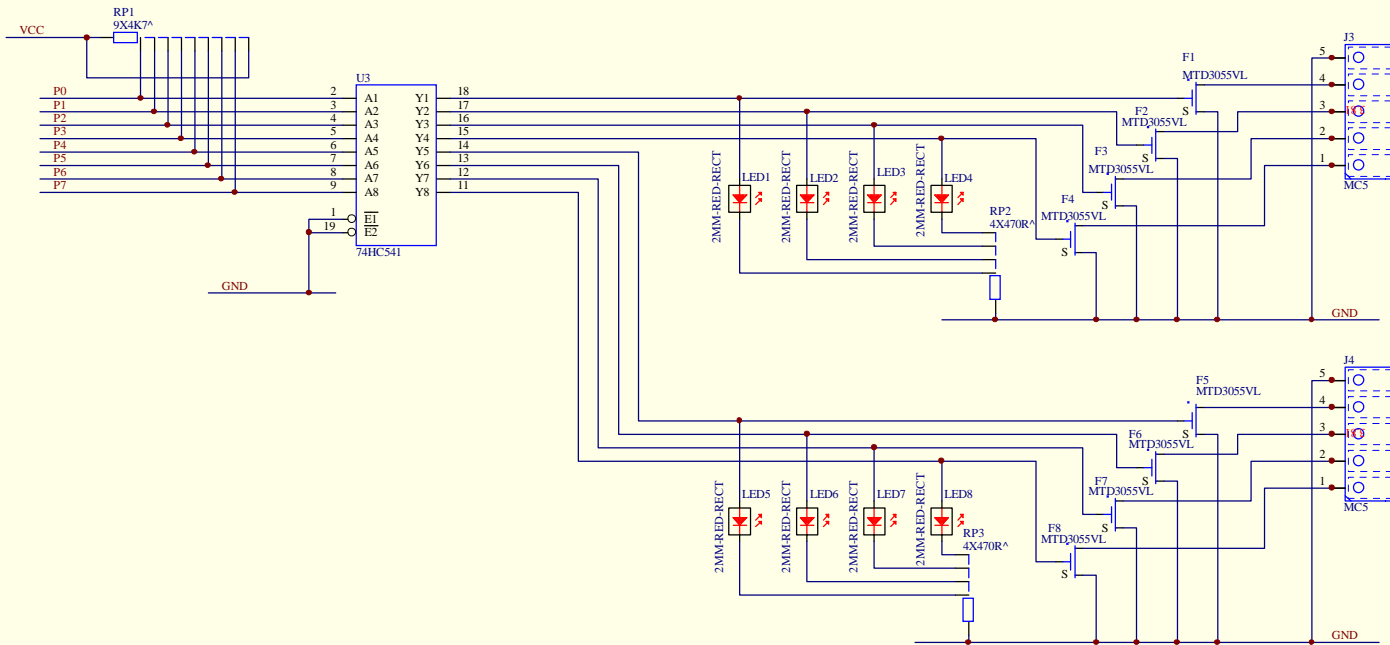
8 x FET drivers
212v0.S02

FET connections

JED MICROPROCESSORS PTY LTD 173 BORONIA ROAD, BORONIA, VIC, 3155 Ph (03) 9762 3588 Fax (03) 9762 5499 Email: jed@jedmicro.com.au		
TITLE 8 x FET DRIVERS		
PROJECT NUMBER 212v0.Sch		
VERSION 0	DATE 27-Jul-2004	SHEET 1 OF 3



JED MICROPROCESSORS PTY LTD 173 BORONIA ROAD, BORONIA, VIC, 3155 Ph (03) 9762 3588 Fax (03) 9762 5499 Email: jed@jedmicro.com.au		
TITLE I2C interface		
PROJECT NUMBER 212v0.S01		
VERSION 0	DATE 27-Jul-2004	SHEET 2 OF 3



JED MICROPROCESSORS PTY LTD 173 BORONIA ROAD, BORONIA, VIC, 3155 Ph (03) 9762 3588 Fax (03) 9762 5499 Email jed@jedmicro.com.au		
TITLE Interface		
PROJECT NUMBER 212v0.S02		
VERSION 0	DATE 27-Jul-2004	SHEET 3 OF 3