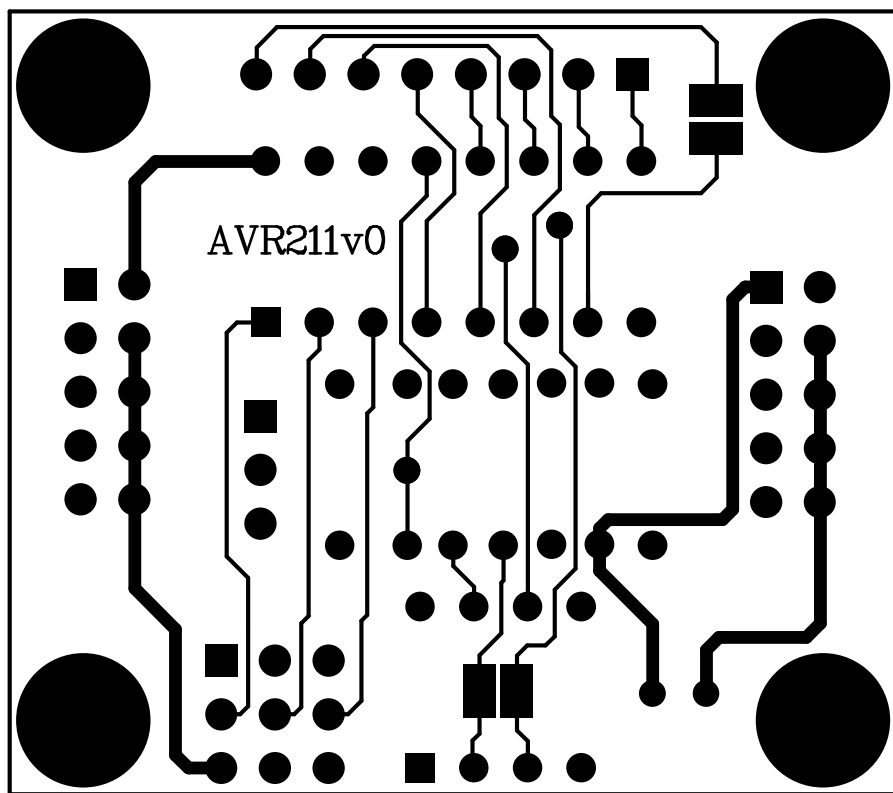
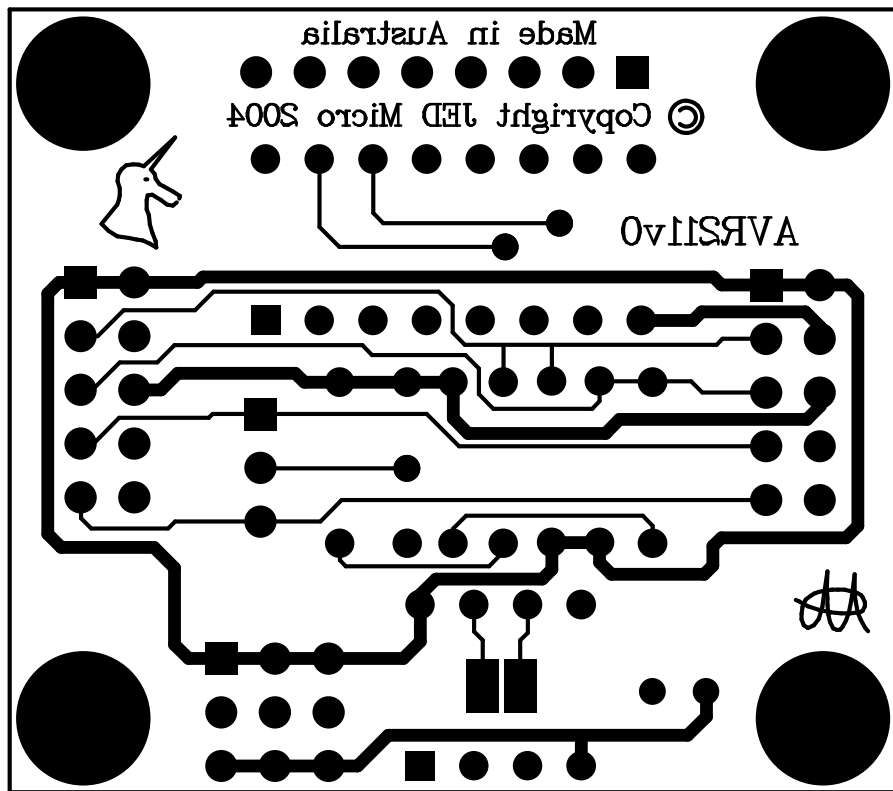
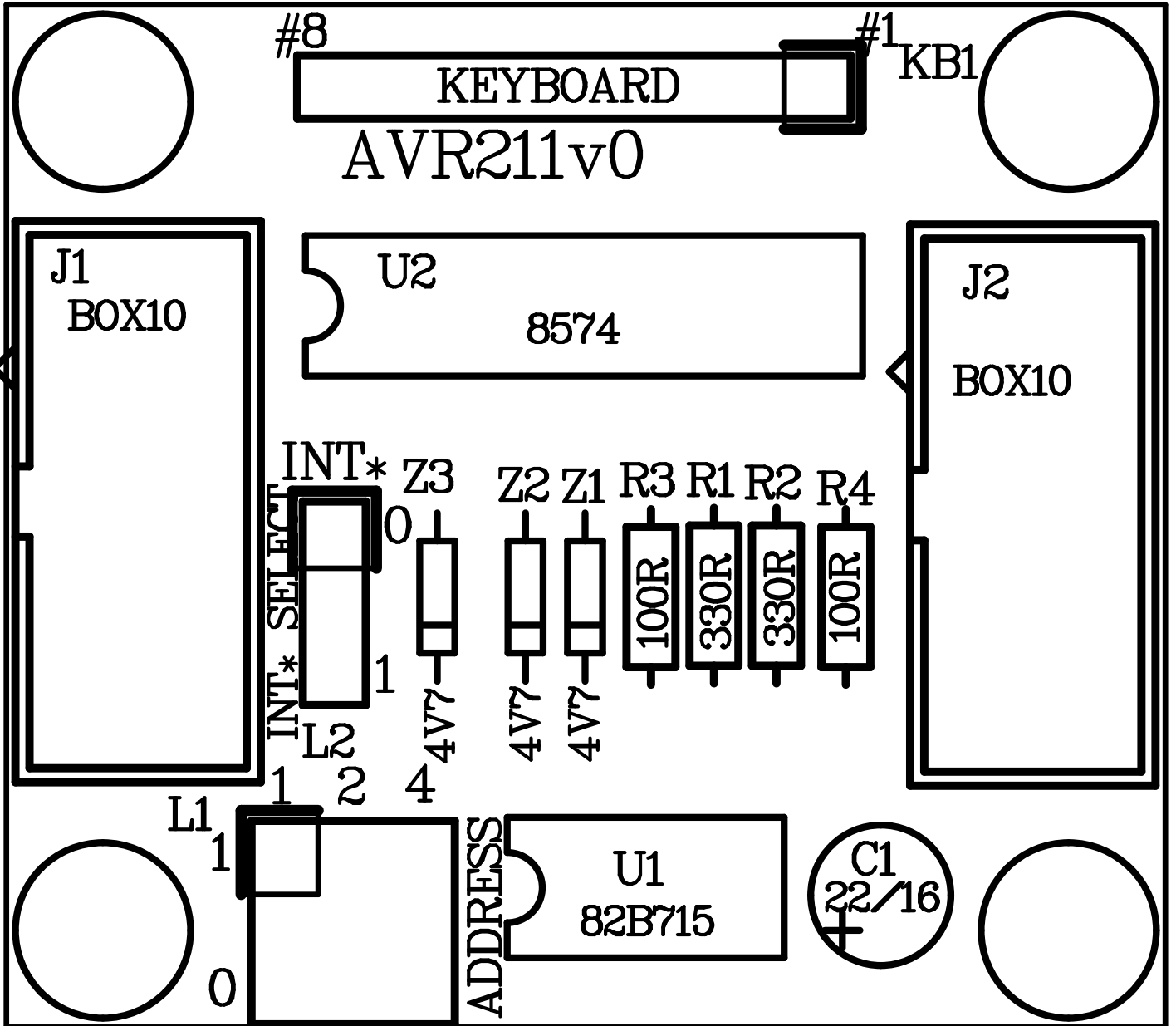


J2







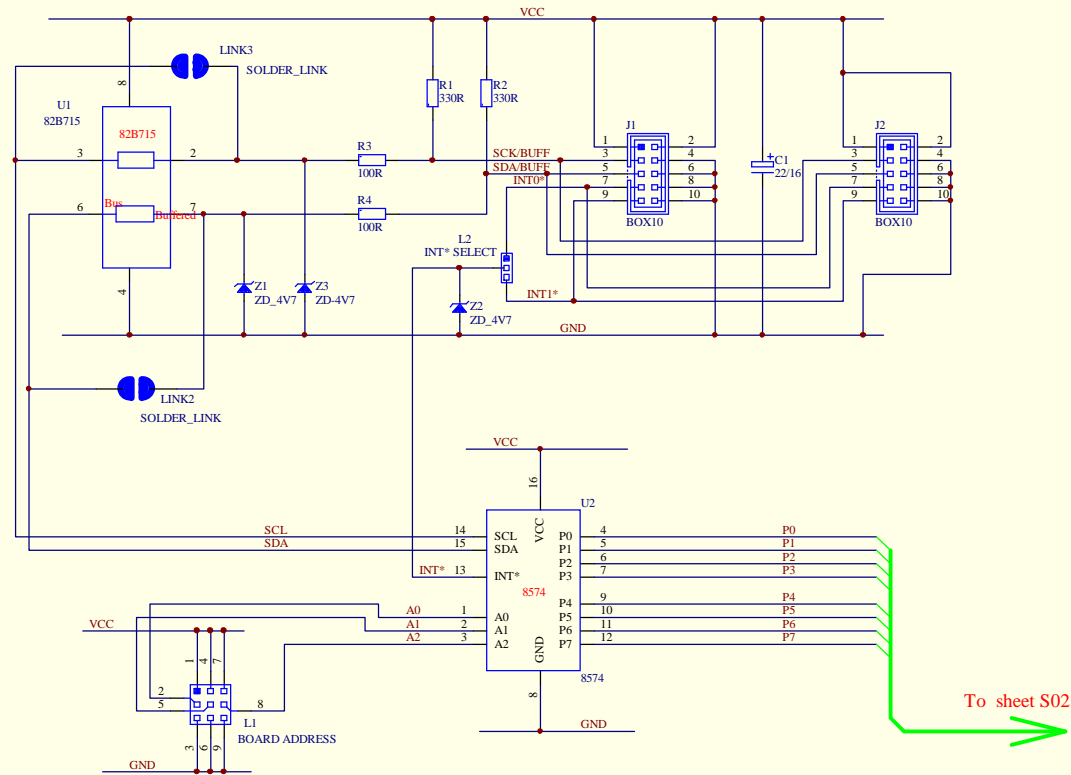
I2C interface
211v0.S01

I2C interface

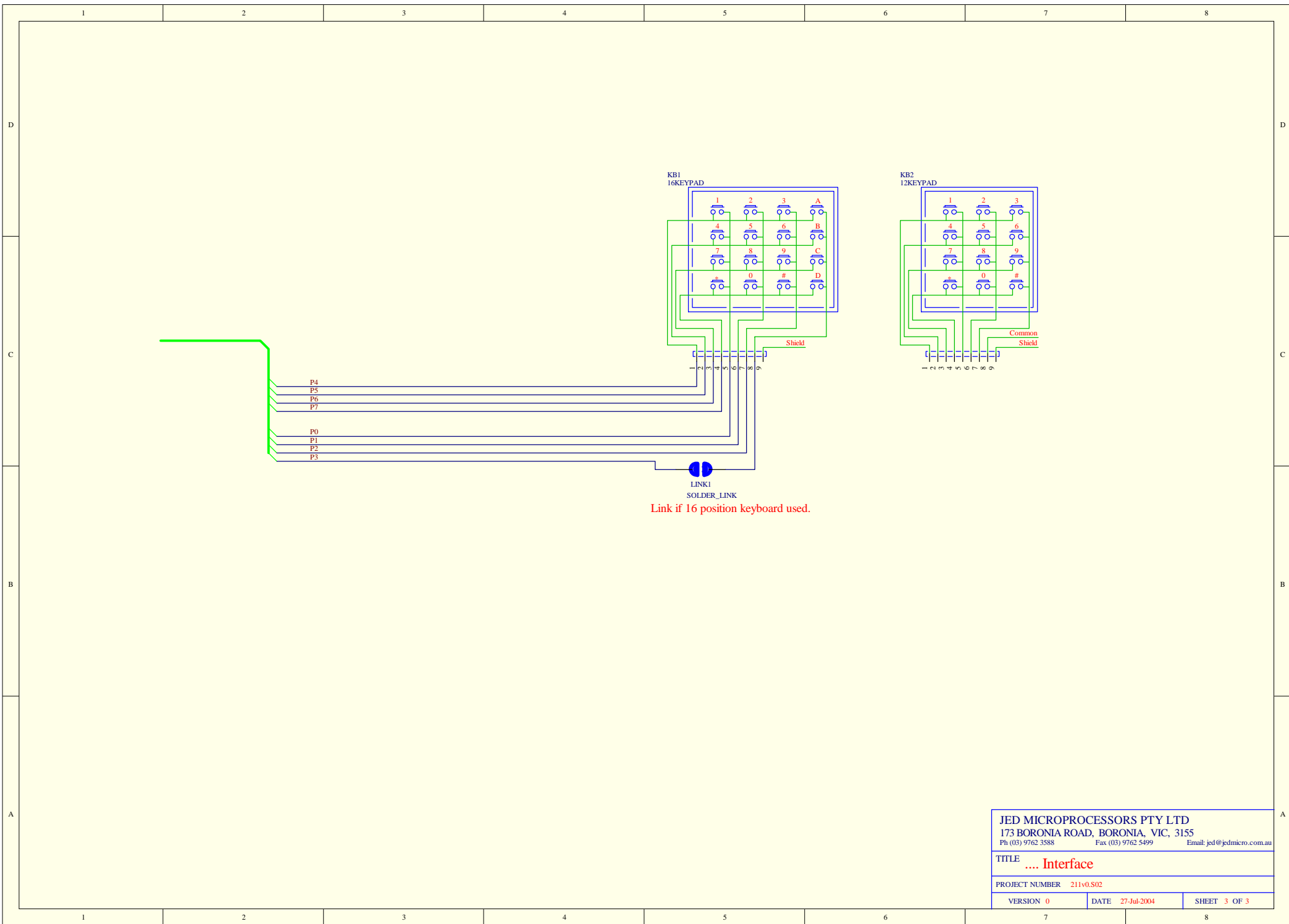
Keyboard interface
211v0.S02

keyboard connections

JED MICROPROCESSORS PTY LTD 173 BORONIA ROAD, BORONIA, VIC, 3155 Ph (03) 9762 3588 Fax (03) 9762 5499 Email: jed@jedmicro.com.au		
TITLE Keyboard interface		
PROJECT NUMBER 211v0.Sch		
VERSION 0	DATE 27-Jul-2004	SHEET 1 OF 3



JED MICROPROCESSORS PTY LTD 173 BORONIA ROAD, BORONIA, VIC, 3155 Ph (03) 9762 3588 Fax (03) 9762 5499 Email: jed@jedmicro.com.au		
TITLE I2C interface		
PROJECT NUMBER 211v0.S01		
VERSION 0	DATE 27-Jul-2004	SHEET 2 OF 3



JED MICROPROCESSORS PTY LTD 173 BORONIA ROAD, BORONIA, VIC, 3155 Ph (03) 9762 3588 Fax (03) 9762 5499 Email: jed@jedmicro.com.au		
TITLE Interface		
PROJECT NUMBER 211v0.S02		
VERSION 0	DATE 27-Jul-2004	SHEET 3 OF 3